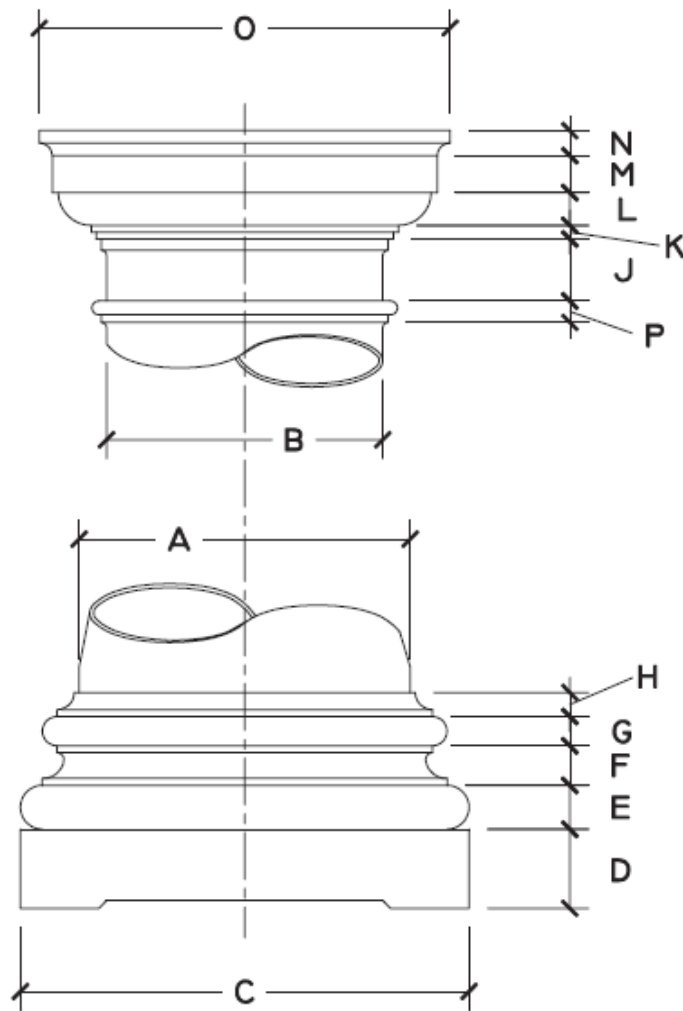


Column Specifications

Roman Doric Cap & Attic Base Dimensions

BOT. DIA	TOP DIA	Square Plinth		Round Base				Total Base	Round Cap				Square Abacus			Total Cap
		A	B	C	D	E	F	G	H	E,F,G,H	P	J	K	L	M	N
12	10	16 1/8	2 3/4	1 1/2	1 3/8	1	5/8	4 1/2	3/4	2 1/8	7/16	1 3/16	1 1/2	7/8	14 3/4	4
14	12	18 3/4	3 3/8	1 3/4	1 5/8	1 1/4	3/4	5 3/8	7/8	2 5/8	9/16	1 3/8	1 5/8	1 1/8	17 1/2	4 11/16
16	13 1/2	21 1/2	3 7/8	2 1/8	1 7/8	1 3/8	7/8	6 1/4	1	3	5/8	1 5/8	1 7/8	1 1/4	19 7/8	5 3/8
18	15	24 1/4	4 1/4	2 3/8	2 1/8	1 1/2	1 1/8	7 1/8	1 3/16	3 3/8	3/4	1 3/4	2 1/8	1 3/8	22 1/4	6
20	17	27	4 3/4	2 5/8	2 3/8	1 3/4	1 3/8	8 1/8	1 1/4	3 3/4	3/4	2	2 3/8	1 5/8	25	6 3/4
22	18 1/2	29 3/4	5 1/4	2 7/8	2 5/8	1 7/8	1 5/8	9	1 3/8	4 1/8	7/8	2 1/8	2 5/8	1 3/4	27 3/8	7 3/8
24	20	32 1/2	5 3/4	3 3/16	2 7/8	2 1/8	1 3/4	9 15/16	1 1/2	4 1/2	15/16	2 3/8	2 3/4	1 13/16	29 3/4	7 7/8
28	23 1/2	38	6 3/4	3 3/4	3 3/8	2 3/8	1 7/8	11 3/8	1 5/8	5	1 1/8	2 3/4	3 3/8	2 1/8	34 5/8	9 3/8
30	25	40 1/2	7 1/4	3 7/8	3 5/8	2 5/8	1 7/8	12	1 13/16	5 1/2	1 3/16	2 7/8	3 1/2	2 3/8	37	9 15/16
36	30	48 3/8	8 3/4	4 3/4	4 3/8	3 1/8	2 1/2	14 3/4	2 1/16	6 3/8	1 3/8	3 5/8	4 1/4	2 3/4	44 1/8	9 15/16



FIBERGLASS SPECIALTIES INCORPORATED
"The World's Largest Producer of Fiberglass Church Products"