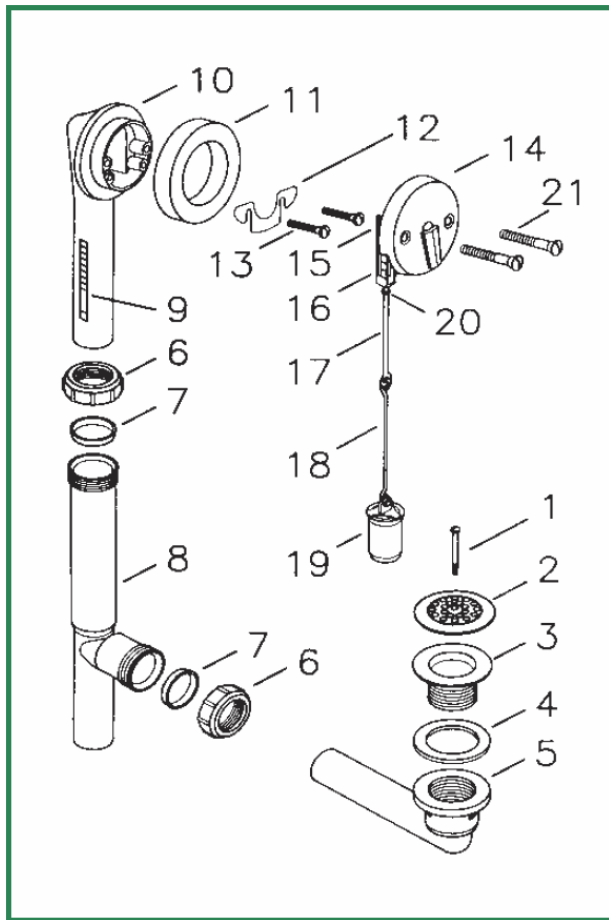


172/172B Drain and Overflow

Installation Instructions

1. Apply plumbers putty** around bottom side of strainer body flange. Insert strainer body through drain hole in bottom of tub in one of the factory provided recessed locations (see reverse side). Place drain ell gasket on drain ell on outside of tub.
2. Slide slip nut, then plastic or brass washer (ferrule) onto drain ell. Make sure thick side of washer is toward nut. Slide tee on to drain tube and partially tighten nut.
3. Place overflow washer on overflow ell. Slide slip nut, then plastic or brass washer (ferrule) onto overflow drain tube. Insert into tee. Adjust so that overflow ell is snug against overflow hole in tub and long portion of tee is vertical with floor. Hand tighten both nuts as much as possible, then another 1/8 turn with wrench.
NOTE: If brass ferrules are used joints can be soldered. DO NOT solder if plastic washers are used.
4. Start the two retainer plate screws in the bottom two holes in the overflow ell. Hang the retainer plate over the screw heads and tighten the screws until the retainer plate makes contact with the interior tub wall.
5. Install overflow plate and drop cylinder assembly, with screws provided.
6. Adjust drop cylinder assembly to insure no leads to drain when in closed position.

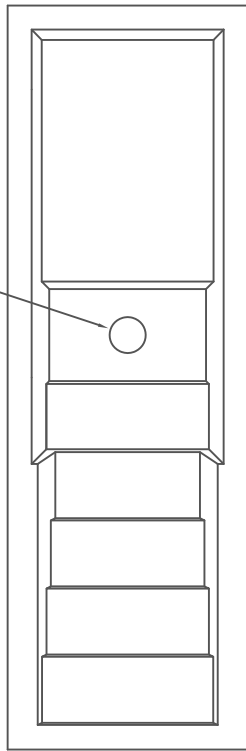
****CAUTION: Avoid contact of plumbers putty with ABS plastic parts****



Item	Part #	Description
1.	01040CPStrainer Cover Plate Screw
2.	01006CPStrainer Cover Plate
3.	11495CPTrip Lever zinc Strainer Body, 1 1/2" - 11.5
4.	10696Drain Ell Washer
5.	11028 Drain Ell Tube, Tubular ABS, 1 1/2" - 11.5
	14028Drain Ell Tube, Tubular PVC, 1 1/2" - 11.5
6.	11580 Slip Joint Nut, ABS, 1 1/2"
	11581Slip Joint Nut, PVC, 1 1/2"
7.	11583Slip Joint Polywasher, 1 1/2"
8.	11000 Tee, Tubular ABS
	14000Tee, Tubular PVC
9.	TQ onlyQUICK ADJUST® label
10.	11003 Overflow Elbow, Tubular ABS
	14003Overflow Elbow, Tubular PVC
11.	10675 Overflow Ell Washer, Foam
12.	11530 Retainer Plate
13.	11540Retainer Plate Screw
14.	10700CPTrip Lever Faceplate Assembly
15.	10930Cotter Pin
16.	10950Trip Lever Quick Adjust "Q" Clevis
17.	10953Top Linkage Eye Bolt
18.	109545.25" Double-Loop Wire
19.	11005Drop Cylinder for ABS
	14005Drop Cylinder for PVC
20.	10952Trip Lever Linkage Nut
21.	01024CPScrew, Overflow Plate, 2.25"

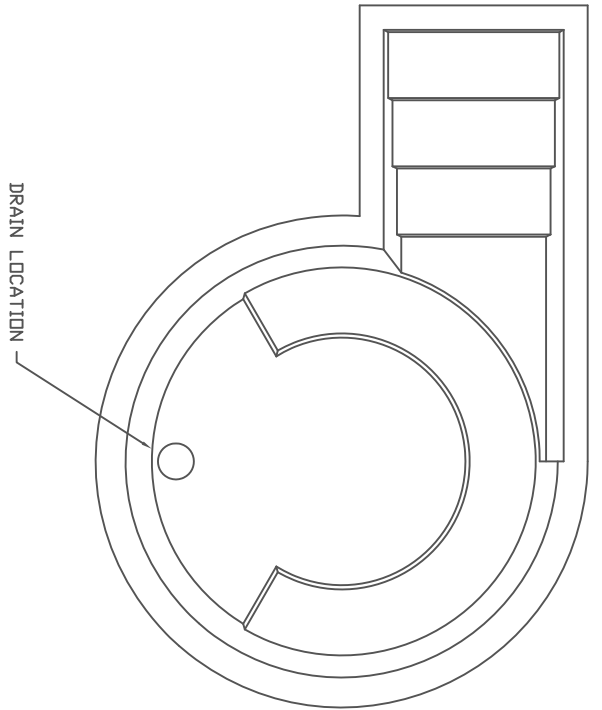


"The World's Largest Producer
of Fiberglass Church Products"



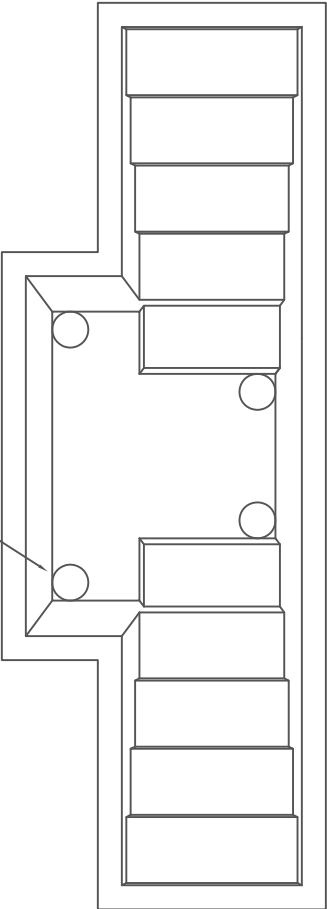
Drain Location

EZ-1 BAPTISTRY



DRAIN LOCATION

"R" MODEL BAPTISTRIES



POTENTIAL DRAIN LOCATIONS AT EACH CORNER

ALL OTHER MODELS

IMPORTANT NOTE ON DRAIN INSTALLATION:
 REINFORCEMENT HAS BEEN REMOVED AT THE FOUR CORNERS OF THE BAPTISTRY (AS SHOWN BELOW) TO ASSURE PROPER LOCATION AND FIT OF THE DRAIN PORT. THE INSTALLER MAY WISH TO SLIGHTLY TILT THE BAPTISTRY (1/64" PER FOOT) TO ALLOW WATER TO DRAIN INTO THE PORT. THE BAPTISTRY WILL NOT BE HARMED IF IT IS INSTALLED "LEVEL" AND A SMALL AMOUNT OF WATER REMAINS AFTER DRAINING. OTHER DRAIN PORT LOCATIONS MUST BE SPECIFIED AT TIME OF ORDER. DO NOT PENETRATE THE REINFORCED SECTIONS OF THE BAPTISTRY FLOOR AS THIS WILL VOID THE WARRANTY.

FLOOR DRAIN LOCATIONS
 FOR
 FSI STANDARD BAPTISTRIES



P.O. BOX 1340
 HENDERSON, TEXAS
 75653-1340
 903/657-6522
 FAX# 903/657-2318

DATE: 08-16-05	SHEET FILE NAME: INST. SHT/BAPTISTRY
DRAWN BY: TDR	REVISION: 0
CHECKED BY:	APPROVED BY:

SHEET
 NO. 1 OF 1